

## REMOVING THE MOP HEAD FOR CLEANING:

1. Step on the threads of the mop head near the edge of the disk (Fig 8).

**NOTICE:** Make sure you do not step on the disk.



2. Spin the mop handle so that one of the buttons near the base of the handle points towards your foot.
3. Push the handle away from the body. This separates the disk from the mop head.

**For replacement mop heads  
and other accessories  
please visit  
[www.SpinMopHeads.com](http://www.SpinMopHeads.com)**

### LIMITATION OF LIABILITY

Liability limited to the purchase price of this product.

TeleBrands Corporation shall not be liable for any incidental or consequential damages or any implied warranty on this product.

Some states do not allow the exclusion or limitation of incidental or consequential damages, so the above limitation or exclusion may not apply to you.



Fairfield, NJ 07004

[www.Telebrands.com](http://www.Telebrands.com)

Made in China. • ©2013Telebrands Corp.

TBHSMIMR9040214



## Instruction Guide



Scan  
For More  
Information



### WARNING:

To avoid entanglement and possible injury, keep hair, clothing, jewelry, hands, and other body parts away from the spinning wringer. Wear shoes while operating foot pedal to avoid pinch hazard.

### WARNING:

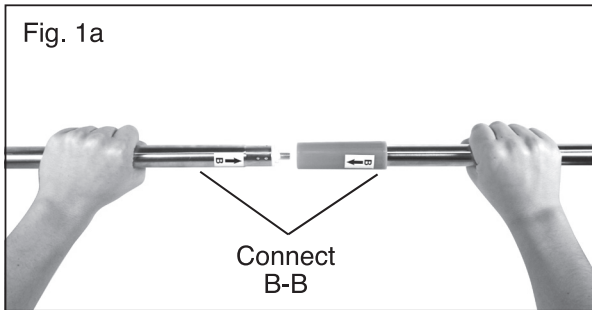
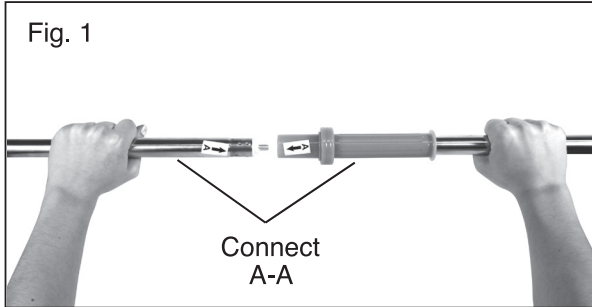


Children can fall into bucket and drown.

Keep children away from bucket with even a small amount of liquid.

## ASSEMBLY INSTRUCTIONS

1. Before assembling, please make sure you have all parts listed on the previous page.
2. Screw the top handle onto the middle handle tightly by holding the middle handle, grasping the top handle above the grip handle, and turning the top handle clockwise, connecting A-A (Fig. 1) until you hear it CLICK 5-9 times.
3. Attach the bottom handle by holding the bottom handle and turning the middle handle clockwise, connecting B-B (Fig. 1a) until it clicks 5-9 times.



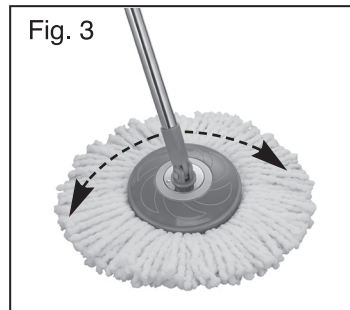
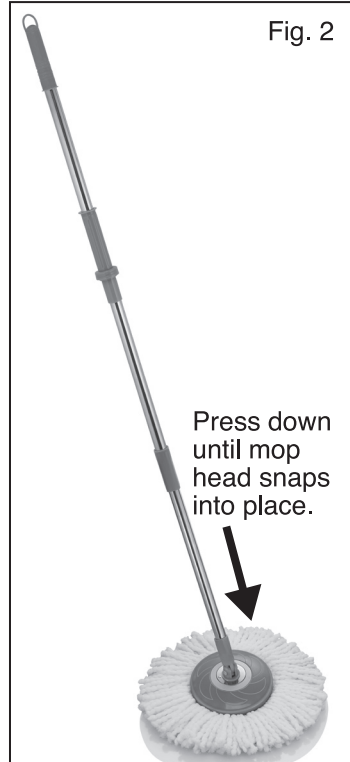
4. The mop head comes assembled to the bottom handle. If mop head is removed for cleaning, it can be reattached by placing the mop head on the floor, aligning the disk on top of the mop head, and pressing down until the mop head snaps into place (Fig. 2).

## USAGE INSTRUCTIONS

### Adjust Angle:

1. The angle of the handle can be adjusted from 0 to 180 degrees.
2. Simply move the handle back and forth (Fig. 3).

Your Spin Mop is ready for use!



(continued on next page)

## USAGE INSTRUCTIONS (continued)

### Maximum Water Level:

Do not fill past "full water level" mark (Fig. 4) to prevent overflow when wringing out the mop.

### Dry/Wring Feature:

1. When placing the mop head into the wringer, keep the handle vertical (Fig. 5) for the disk to rotate properly.
2. To dry or wring out your mop head, place the mop head flat in the wringer side of the bucket (Fig. 6). Hold the grip handle (Fig. 7), then press the foot pedal. The wringer will dry the mop head.

### Damp Control:

You can control how wet the mop head is by spinning off excess water in the wringer until the desired dampness of the mop head is achieved. This allows the mop to be used for different jobs like cleaning, dusting, or spills.

## CARE INSTRUCTIONS

1. You will find that the mop head (100% Polyester) can easily be cleaned by simply rinsing in clean water (or adding your favorite detergent to the water). Wash the mop head in the bucket, then place in the wringer and spin.
2. Occasionally, you may want to clean the mop head by simply throwing it in the washing machine. Follow the instructions for 'Removing The Mop Head For Cleaning' on the next page. Place in washing machine on gentle cycle, using hot water and regular detergent. You may want to add regular or color safe bleach if necessary. **DO NOT** use fabric softeners or put in an automatic dryer. Air dry only.

**NOTICE:** To avoid damage to the mop head, do not dry in an automatic dryer.

